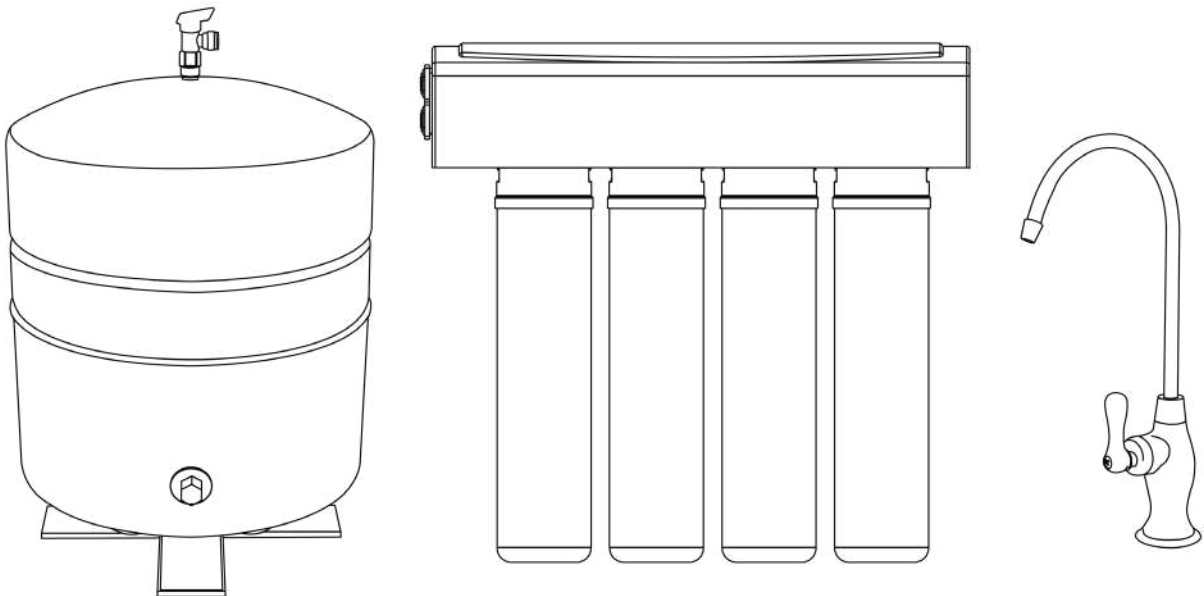




QUICK CHANGE 5-STAGE REVERSE OSMOSIS SYSTEM

Installation Instructions



PUREGEN TECHNOLOGY, INC.
California, USA
www.puregen.com
sales@puregen.com



Table of Contents & Caution

Table of Contents & Caution	1
Step 1 – Part List and Accessories Kit	2
Step 2 – Prepare Tools	2
Step 3 – Install the RO Faucet	3
Step 4 – Install the Feed Water Adapter (Cold-water Only)	4
Step 5 – Install the Tank Ball Valve	5
Step 6 – Install the Drain Saddle	5
Step 7 – Connect Tubing to The Ports on the System	6
Step 8 – Start up the System	6
Replacing the Quick-Change Filters	6
PROQ PLUS Specifications	7
INSTALLATION DIAGRAM	8
LIMITED WARRANTY	9

CAUTION

DO NOT INSTALL THIS PRODUCT UNTIL YOU READ AND UNDERSTAND ALL INSTRUCTIONS. FAILURE TO FOLLOW THESE INSTRUCTIONS MAY RESULT IN PERSONAL INJURY, PROPERTY DAMAGE, OR PRODUCT FAILURE.

- DO NOT USE FLAMMABLE OR VOLATILE SUBSTANCES NEAR THE FILTRATION SYSTEM.
- DO NOT USE WITH WATER THAT IS MICROBIOLOGICALLY UNSAFE OR OF UNKNOWN QUALITY WITHOUT ADEQUATE DISINFECTION.
- FOR COLD WATER USE ONLY.
- DO NOT FREEZE THE FILTER, AS THIS CAN CAUSE CRACKING AND WATER LEAKAGE.
- DO NOT ALLOW CHILDREN UNDER 3 YEARS OLD TO HAVE ACCESS TO SMALL PARTS DURING INSTALLATION OF THIS PRODUCT.
- THIS INSTALLATION MUST COMPLY WITH ALL APPLICABLE STATE AND LOCAL REGULATIONS

Step 1 – Part List and Accessories Kit

Part List



PROQ PLUS SYSTEM x 1



5th Stage In-Line Filter x 1 (AIC-RO)



RO Faucet x 1 Set



Water Storage Tank x 1



Instruction Manual x 1

Accessories Kits



Lock Clip x 4



Drain Saddle x 1 set



In-Line Clips x 2



1/4" Tube Insert x 2



Nuts for In-Line Clips x 2



Feed Water Adaptor x 1



Tank Ball Valve x 1



1/4" Black Waste Water Tubing



1/4" Blue Pure Water Tubing



1/4" Orange Inlet Water Tubing

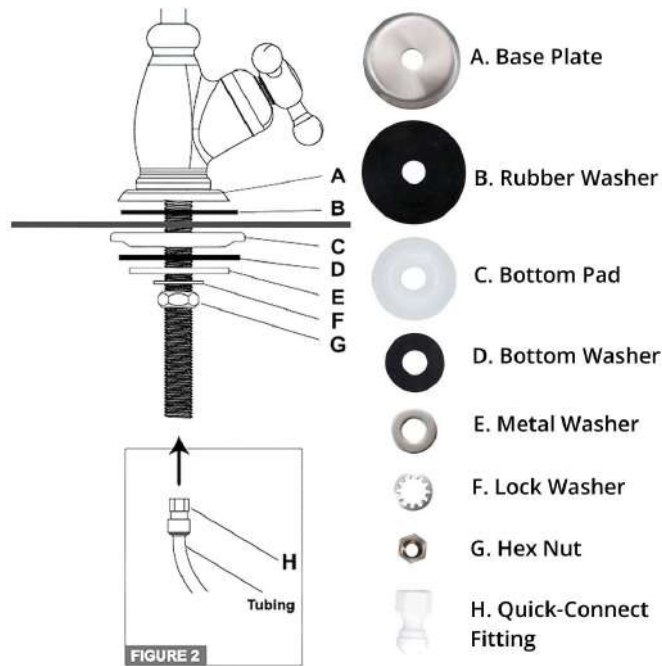


1/4" Yellow Tank Tubing

Step 2 – Prepare Tools

1. Variable speed drill and Drill bits: 1/4" for waste line, 1/2" for faucet hole
2. Screwdriver
3. Towel
4. Adjustable wrench
5. Teflon tape

Step 3 – Install the RO Faucet



Installation Video



NOTE: Drill a 1/2" hole or use the soap dispenser hole. Skip this step if using the sprayer hole.

1. Shut off the cold-water supply valve and open the kitchen faucet until the water stops flowing to release any remaining pressure.
2. Place the base plate and rubber washer on the faucet stem, then position them at the faucet base. (Figure 1)
3. Insert the faucet stem into the hole on the countertop.
4. Install the remaining components under the sink as shown. Tighten the hex nut with a wrench. (Figure 2)
5. Attach the quick-connect fitting to the faucet stem.
6. Insert the **blue tubing** into the quick-connect fitting and pull downward to ensure it is securely attached. (Figure 3)



Figure 1

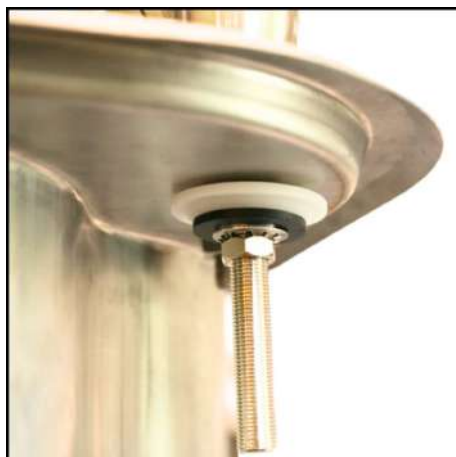


Figure 2

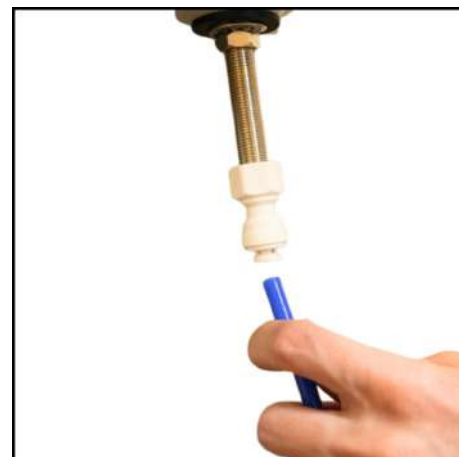


Figure 3

Step 4 - Install the Feed Water Adapter (Cold-water Only)

Determine the size of the compression inlet valve under your sink, which will be either 1/2" or 3/8" OD.



3/8" Compression Outlet



1/2" FIP Outlet

- For a 3/8" outlet valve, no adapter is needed.
- For a 1/2" FIP outlet valve, use a 1/2" FIP to 3/8" compression adapter. (Figure 4)

NOTE: For other outlet valve sizes, purchase the appropriate adapter at your local hardware store.



Figure 4

1. Turn off the cold-water supply valve and open the kitchen faucet to release water pressure until it stops flowing.
2. Place a towel under the cold feed water valve to catch any dripping water. Use an adjustable wrench to disconnect the faucet hose from the water inlet valve.
3. Attach the feed water adapter to the cold-water inlet valve and tighten it using an adjustable wrench. **【NOTE:** If you have a 1/2" water inlet valve, screw on the two converters (1/2" FIP to 3/8" compression and 3/8" compression to 1/2" FIP) to the feed water adapter before proceeding to step 3. **】**
4. Reconnect the original faucet hose to the feed water adapter.
5. Insert the **orange tubing** into the feed water adapter and pull firmly on the tube to ensure a secure connection.



3/8" Compression Outlet



1/2" FIP Outlet

Step 5 - Install the Tank Ball Valve

1. Wrap Teflon tape clockwise around the tank thread for 10 rotations to prevent leaks.
2. Hand-tighten the tank ball valve onto the threaded stem.
3. Connect the **yellow tubing** to the tank ball valve.
4. Keep the tank ball valve closed until the installation is complete. (Figure 5)



Figure 5

Step 6 - Install the Drain Saddle

1. Choose a suitable spot on the drainpipe to install the drain saddle. **【NOTE: It's recommended to install it on a vertical section of the drainpipe.】**
2. Drill a 1/4" hole in the pipe, ensuring not to penetrate through to the other side. (Figure 6)
3. Peel off the backing from the foam seal and affix it onto the front plate. **【NOTE: Align the foam seal with the drilled hole.】**
4. Insert the **black tubing** approximately 1/2" into the drain saddle. (Figure 7)
5. Feed the tubing through the drilled hole.
6. Secure the front plate to the back plate by tightening the screws on both sides, ensuring the tubing remains in place in the hole. (Figure 8)



Figure 6

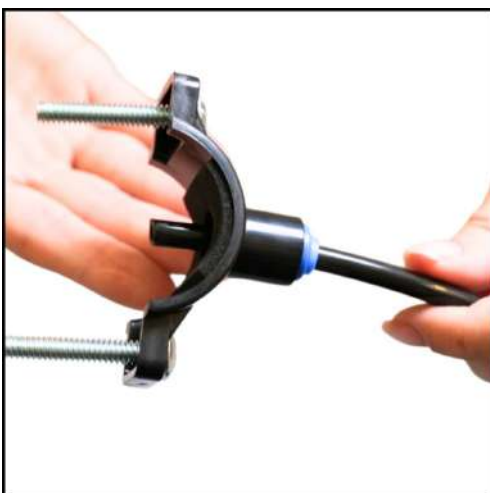


Figure 7



Figure 8

Step 7 – Connect Tubing to The Ports on the System

- Insert the **blue** tubing into the “**FAUCET**” port.
- Insert the **yellow** tubing into the “**TANK**” port.
- Insert the **orange** tubing into the “**IN**” port,
- Insert the **black** tubing into the “**DRAIN**” port.

Secure each with a lock-in clip to prevent water leaks, and firmly tug on each tube to ensure secure installation. (See Figure 9)



Figure 9

Step 8 – Start up the System

1. Ensure none of the tubing is kinked and confirm the tank ball valve is closed.
2. Turn on the cold-water supply valve and feed water adapter. Check for leaks at all connection points. If leaks occur, turn off the feed water adapter.
【**NOTE:** If leaks persist, check:
 - a. Proper insertion of tubing into quick-connect fittings.
 - b. Condition and placement of O-rings.
 - c. Tightness and alignment of housing/cap threads.】
3. Turn off the original kitchen tap faucet and open the RO faucet. Allow water to run for 15-20 minutes until it starts dripping, then let it drip for 5 minutes.
4. Close the RO faucet and wait 10 minutes for pressure to stabilize.
5. Open the tank ball valve to fill the tank. 【**NOTE :** Filling may take 2-3 hours depending on home water pressure. 】
6. Turn on the RO faucet to empty the tank. 【**NOTE :** Seeing black particles in the water at first is normal as it passes through the carbon filter.】
7. Repeat steps 5 & 6 again.

Replacing the Quick-Change Filters

Replace filter cartridges annually for optimal filtration. Delayed changes can degrade water quality, reduce flow, and increase TDS levels. Frequency may vary depending on local water quality.

1. Turn off the cold-water supply and tank ball valves, then open the RO faucet to release pressure.

2. Place a towel under the original filter to catch any water. Twist each filter off from right to left.
3. Remove the dust cover from the new filters and inspect each O-ring for deformities.
4. **Match the numbers on the system cap to the corresponding filters.** (Figure 10)
5. **Lock each new filter into place by turning it 1/4 turn from left to right.** (Figure 11)
6. Turn on the cold-water supply and check for leaks at all system connections.
7. Open the tank ball valve to fill the tank. **【NOTE : Filling may take 2-3 hours depending on home water pressure. 】**
8. Turn on the RO faucet to empty the tank. **【NOTE : Seeing black particles in the water at first is normal as it passes through the carbon filter.】**
9. Repeat steps 7 & 8 again.



Figure 10

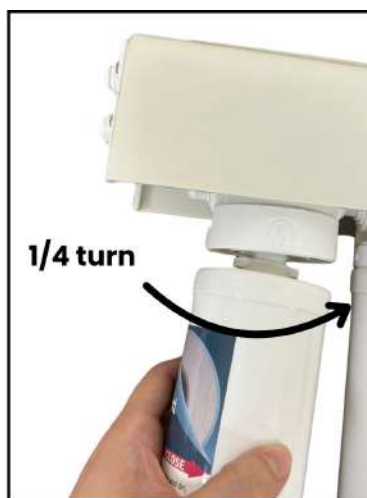
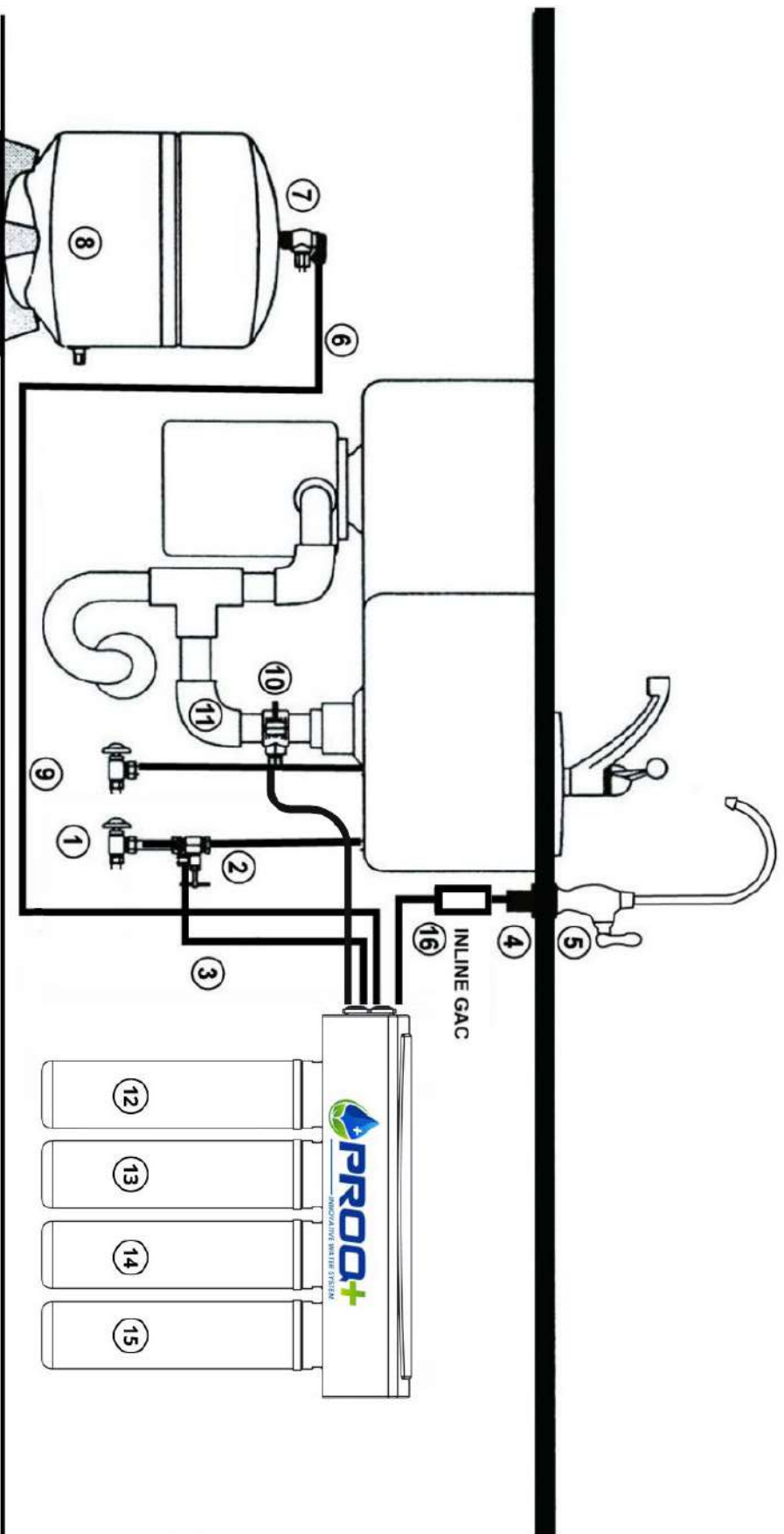


Figure 11

PROQ PLUS Specifications

Replacement Filter Model	1 st Stage SFQ-25801+ Sediment Filter 2 nd Stage GAQ-25802+ Pre-carbon GAC Filter 3 th Stage CBQ-25803+ Carbon Block Filter 4 th Stage MEQ-25850+ RO Membrane 5 th Stage AIC-RO In-Line GAC Filter
Feed Water Temperature	39°-100°F 4°-38°C
Feed Water Pressure	35 - 100 psi 241 - 689 kPa
Flow Rate	0.5 GPM Flow rate varies with regional water pressure and quality.
Production Rate	50 GPD
System Size (L x W x H)	14.7" x 3.5" x 14.7"
System Weight	6.7 lbs

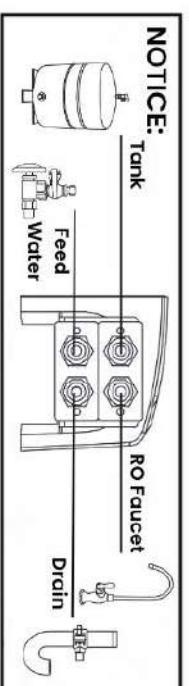
INSTALLATION DIAGRAM REVERSE OSMOSIS WATER PURIFICATION SYSTEM



1. Cold water shut off valve
2. Feed water adapter
3. Orange tubing: to feed water
4. Blue tubing: to faucet
5. Faucet
6. Yellow tubing: to storage tank

7. Tank ball valve
8. Storage tank
9. Black tubing: to drain
10. Drain saddle
11. Drain line
12. Sediment filter 5 microns

13. Pre-carbon filter
14. Post-carbon filter
15. Membrane
16. In-Line GAC filter



LIMITED WARRANTY

I. WHAT YOUR WARRANTY COVERS

Your Reverse Osmosis System is warranted to the original owner to be free of defects in material and workmanship from the date of purchase for one year. Within 1 year of purchase, replace the entire unit (excluding the replaceable filters) at no charge. The replaceable filters are warranted for defects in material and workmanship only. Service life of replaceable filters varies with local water and is thus not warranted.

II. CONDITIONS OF WARRANTY

System must be maintained and serviced with Reverse Osmosis system approved replacement parts and filters, company's liability is limited to the cost of repair or replacement (at our option) of any defective part; it does not include incidental or consequential damages of any kind. System must be installed by a licensed water treatment professional.

III. WHAT DOES NOT WARRANT

Warranty is void if product failure or damage results from freezing, neglect, misapplication, fouling to operate the system in accordance with the manufacturers recommended procedures and guidelines:

- The Reverse Osmosis System must be hooked up to a potable municipal cold-water supply
- The hardness of the water cannot exceed 7 grains per gallon or 120 ppm
- **The water pressure must be between 35 and 70 PSI**
- Incoming water to the RO cannot exceed 90°F
- **Incoming TDS/Total Dissolved Solids not to exceed 800 ppm**

IV. OBTAINING WARRANTY SERVICE

For warranty service, simply contact or your authorized dealers. Be sure to show proof of date of original purchase.

V. LIMITATIONS AND EXCLUSIONS

WILL NOT BE RESPONSIBLE FOR ANY IMPLIED WARRANTIES. WILL NOT BE RESPONSIBLE FOR ANY INCIDENTAL OR CONSEQUENTIAL DAMAGES, INCLUDING TRAVEL EXPENSE, TELEPHONE CHARGES, LOSS OF REVENUE, LOSS OF TIME, INCONVENIENCE, LOSS OF USE OF THE EQUIPMENT AND ITS FAILURE TO FUNCTION PROPERLY.



QUICK CHANGE 5-STAGE REVERSE OSMOSIS SYSTEM



PUREGEN TECHNOLOGY, INC.
California, USA
www.puregen.com
sales@puregen.com

